

Description

The 51114 digital tyre inflator gauge is a reliable, robust & efficient instrument that performs at market leading accuracy of +-1%. Manufactured from impact resistant alloy & protected by an oil resistant rubber casing, the 51114 is the ideal tyre inflation & deflation device for the automotive, DIY, transport, construction and mine site workshops wanting accuracy & longevity. Powered by 2 x CR2032 batteries & with an LCD backlit digital display for easy viewing, the gauge can measure from 5 to 150psi and has an "on" or active working life of up to 140 hours & can measure in a variety of measurement formats.

Specifications

Uses	Digital tyre inflator gauge for petrol stations, car workshops, private use, transport & mine sites
Accuracy	±1%
Inlet	¼" BSPF
Powered by	2 x CR2032 lithium batteries which last up to 140 "on" or active working hours
Air Pressure	Measures from 5psi to 150psi
Working Temperature	0°C to 40°C
Measurements	Measures in either, or psi, bar, kpa or kg/cm2

Operating Instructions

Tips for safety:

1. Check the tyre pressure before driving when tyres are cold.
2. Turn gauge on before attaching to tyre. If gauge turns off while attached to tyre, remove before turning back on.
3. When attaching air hose fitting to gauge use a wrench on the gauge fitting to prevent damaging the gauge.
4. Read these instructions carefully before installing, operating, servicing or repairing this tool. Keep these instructions in a safe accessible place.

Caution

1. Make sure that the compressed air supply does not exceed the gauge's full-scale value.
2. Keep the unit dry – water or other liquids may damage the electronic components inside.
3. Keep the unit away from interferences such as electrical appliances, strong magnetic fields and corrosive gases or liquids.
4. Do not drop or bump the unit.

Operation

1. Connect the compressed air supply hose to the gun's connector.
2. Switch power on the pressure gauge. The LCD screen will display Zero.
3. Press and hold the "ON/UNIT" button to select the measure model among psi, bar, Kg/cm2 and kpa.

Inflating

1. Insert the valve at the end of the hose into the tyre's own inflation valve.
2. Fully depress lever to fill tyre with air.
3. Loosen the lever to stop inflating and read the tyre's pressure on the gauge.
4. Continue inflating the tyre to the required pressure.
5. Detach the gun inflation valve from the tyre's valve at the end.

Deflating

1. Insert the valve at end of the hose into tyre's own inflation valve.
2. Depress lever half way to deflate the tyre.
3. Loosen the lever to stop inflating & read the tyre's pressure on the gauge.
4. Continue deflating the tyre to the required pressure.
5. Detach the gun inflation valve from the tyre's valve at the end.

What if

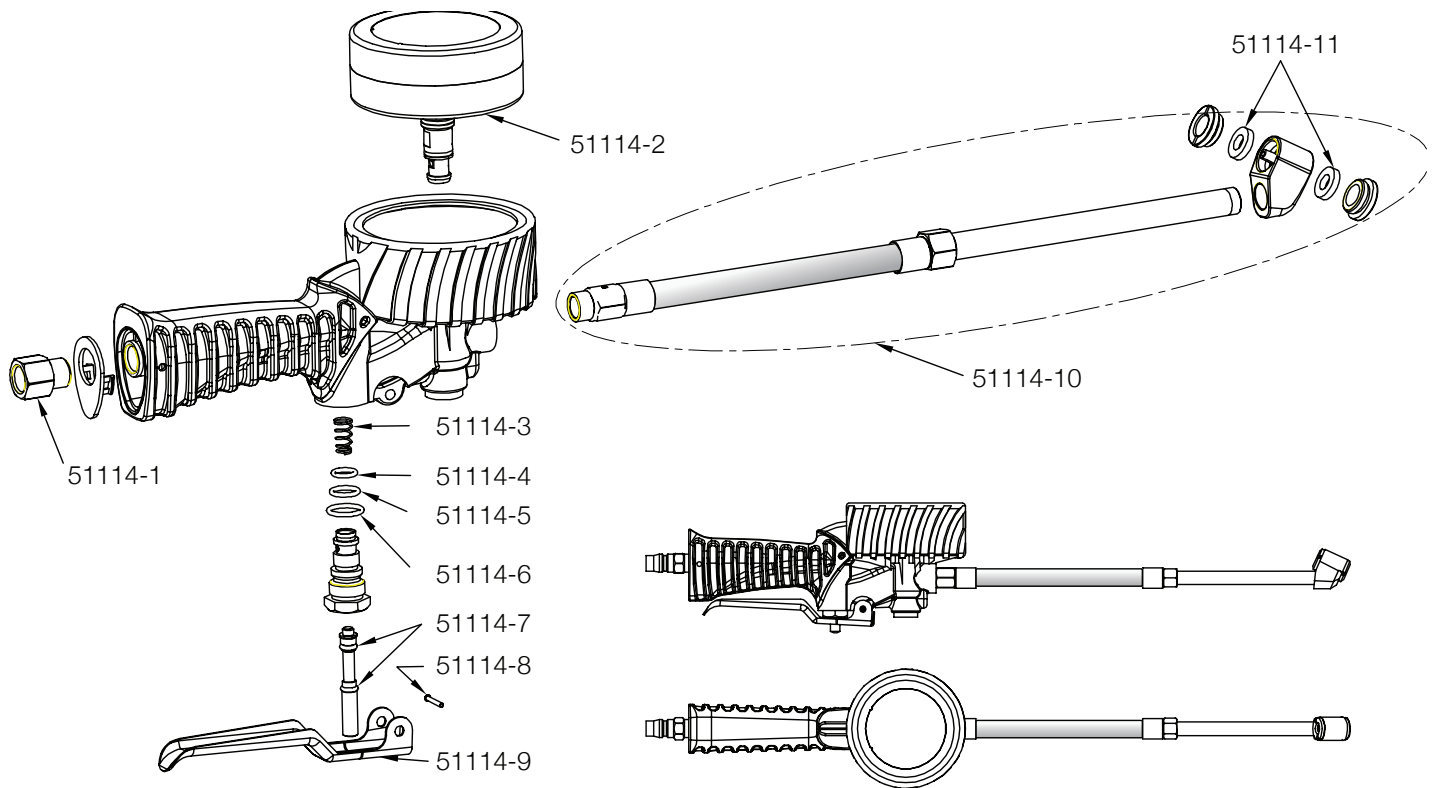
1. "b-Lo": If this sign appears on the display panel, the battery power is low. Please replace it with a new battery by removing the battery cover that is located at the rear of the pressure gauge.
2. If LCD display has no reading, please replace the battery. If it still has no reading, please see "Warranty & Service".

OPENING, OVERLOADING, OR TAKING APART THE UNIT WILL VOID THE WARRANTY.

ONE YEAR LIMITED WARRANTY – on defects or malfunction. The unit will be repaired at no charge if due to faulty manufacturing. If you have any questions, please contact your local distributor. Please take care in packing and moving the unit to prevent damage. Any damage caused will not be covered by this warranty.



Parts And Drawing Breakdown For The 51114



Ordering Spare Parts

Parts List – Part No. 51114 Digital Tyre Inflator Gauge

Part No.	DESCRIPTION	QTY
51114-1	Inlet swivel	1
51114-2	Gauge	1
51114-3	Spring	1
51114-4	Seal	1
51114-5	O Ring	1
51114-6	Washer	1
51114-7	O Ring	1
51114-8	Lever Pin	1
51114-9	Lever	1
51114-10	Flexible Extension and Chuck Assembly	1
51114-11	O Ring	1

NSW
TEL: (02) 9939 0711
FAX: (02) 9939 0411

QLD/PNG
TEL: (07) 3889 8480
FAX: (07) 3889 8490

VIC/TAS
TEL: (03) 8787 8288
FAX: (03) 8787 8266

WA
TEL: (08) 9209 3066
FAX: (08) 9209 3933

SA/NT
TEL: (08) 8241 7111
FAX: (08) 8241 7011

NZ
TEL: (09) 447 1007
FAX: (09) 447 1008